



1T Airide[®] Spring Design Parameter Sheet

Firestone Contact:

Revision Level:

Date:

Customer Company Name:

Customer Contact Name:

Phone:

Fax:

Email:

Customer Project Number

Application:

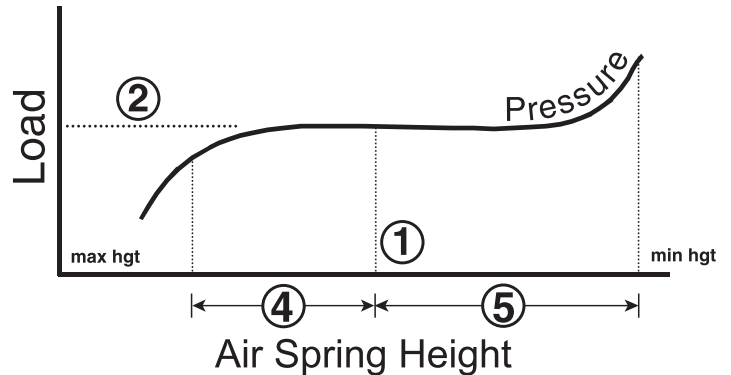
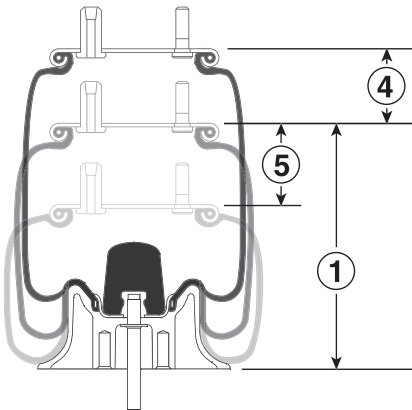
Annual Volume:

Air Spring Performance Requirements

Geographical Location / Environmental Information _____

1. Air Spring Design Height (in , mm) =
2. Air Spring Design Load (lb , N) =
3. Air Spring Operating Pressure (psig , bar) =

4. Air Spring Rebound Travel (in , mm) =
5. Air Spring Jounce Travel (in , mm) =
6. Desired Spring Rate (lb/in , N/mm) =

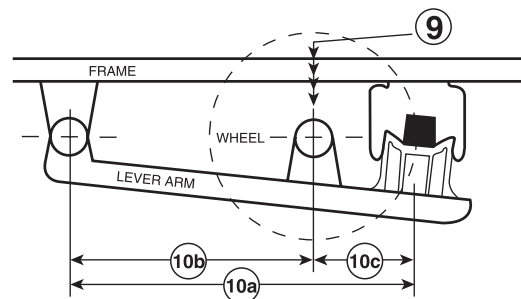


7. Air Spring Clearance:
 - a. Max. Spring Diameter (in , mm) =
 - b. Can rubber roll past top of bead plate? (Yes , No)
 - c. Can rubber roll past bottom of piston? (Yes , No)

10. Lever Arm Ratio
 - a. (in , mm) =
 - b. (in , mm) =
 - c. (in , mm) =

8. Maximum Pressure Available (psig , bar) =

9. Axle Load (lbf , N):
 - a. Empty =
 - b. Design =
 - c. Full Load =



Air Spring Performance Requirements (cont.)

11. Internal Bumper Required = (Yes / No)

a. Bumper Contact Angle (5° max) =

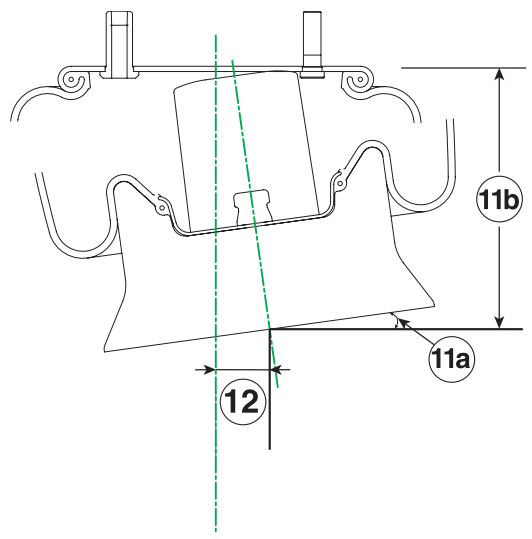
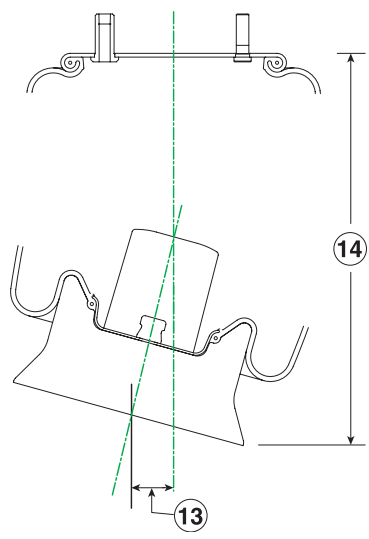
b. Bumper Contact Height (in , mm) =

12. Jounce Offset at bumper contact height (in , mm) =

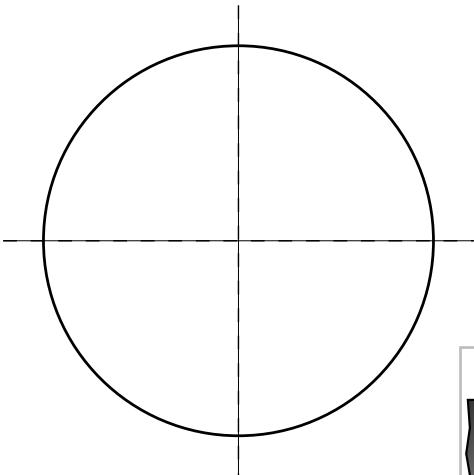
13. Rebound Offset at maximum rebound height (in , mm) =

14. Maximum Rebound Height (in , mm) =

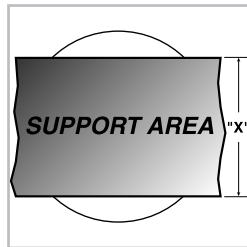
15. Please include suspension drawing



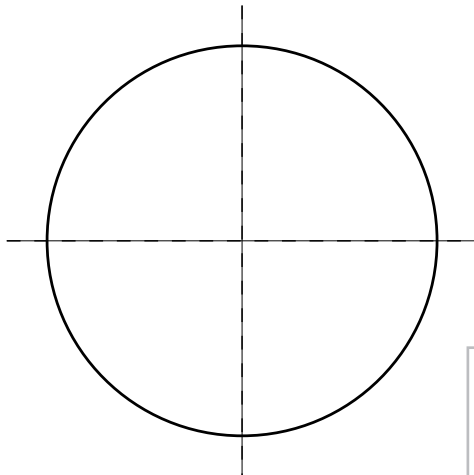
16. Bead Plate Support Area



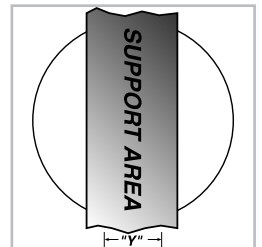
example



17. Piston Support Area



example



18. Customer Air Spring Drawing = (Yes / No)
If yes, please attach

19. Production Start Date =

20. Prototype required = (Yes / No)

a. Date required =

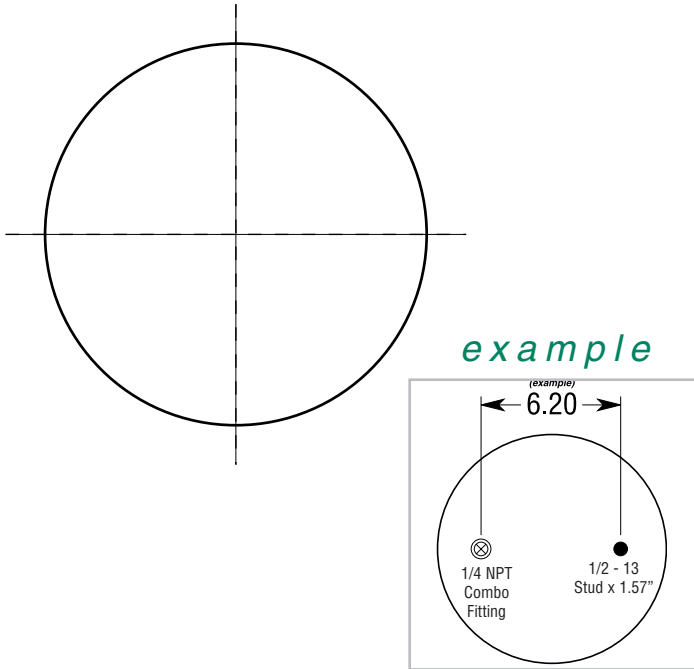
b. Quantity required =

Air Spring Performance Requirements (cont.)

21. Bead Plate Fastener Detail

Firestone bead plate number (if known) =

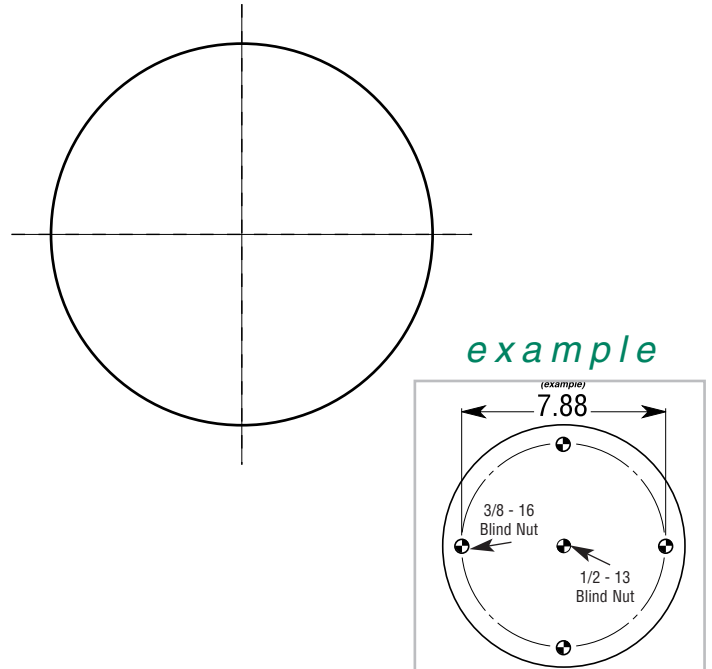
"Same As" Part number =



22. Piston Fastener Detail

Firestone bead plate/piston no. (if known) =

"Same As" Part number =



23. Bead Plate Salt Spray Requirement (96 hour standard) =

24. Piston Material (*Plastic / Steel / Aluminum*)

25. Piston Support Area Surface Finish =

26. PPAP Required = (*Yes / No*)

a. PPAP Level Required =

b. Please attach PPAP requirements

27. Packaging Requirements (*Firestone Bulk Pack Standard*) =

28. Special labeling requirements = (*Yes / No*)
If yes, please attach

29. Test data required = (*Yes / No*)

- Load Deflection
- Burst
- Dynamic
- Other _____