

## 1T Airide® Spring - Four Spring Design Parameter Sheet

Firestone Contact:

Revision Level:

Date:

Customer Company Name:

Customer Contact Name:

Phone:

Fax:

Email:

Customer Project Number

Application:

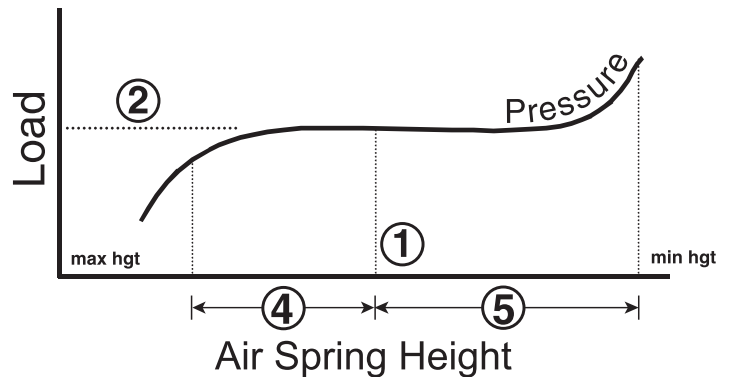
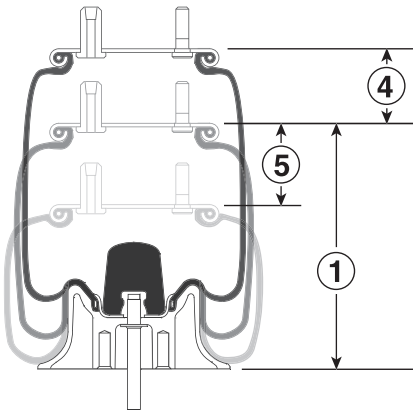
Annual Volume:

### Air Spring Performance Requirements

Geographical Location / Environmental Information \_\_\_\_\_

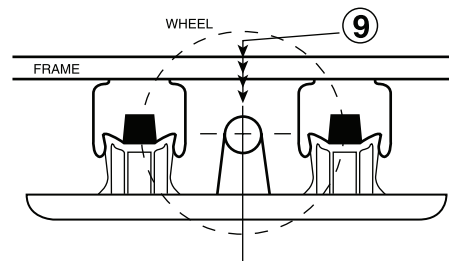
1. Air Spring Design Height ( in , mm ) =
2. Air Spring Design Load ( lb , N ) =
3. Air Spring Operating Pressure ( psig , bar ) =

4. Air Spring Rebound Travel ( in , mm ) =
5. Air Spring Jounce Travel ( in , mm ) =
6. Desired Spring Rate ( lb/in , N/mm ) =



7. Air Spring Clearance:

- a. Max. Spring Diameter ( in , mm ) =
- b. Can rubber roll past top of bead plate? ( Yes , No )
- c. Can rubber roll past bottom of piston? ( Yes , No )
8. Maximum Pressure Available ( psig , bar ) =
9. Axle Load ( lbf , N ):
  - a. Empty =
  - b. Design =
  - c. Full Load =



## Air Spring Performance Requirements (cont.)

**11.** Internal Bumper Required = ( Yes / No )

a. Bumper Contact Angle (5° max) =

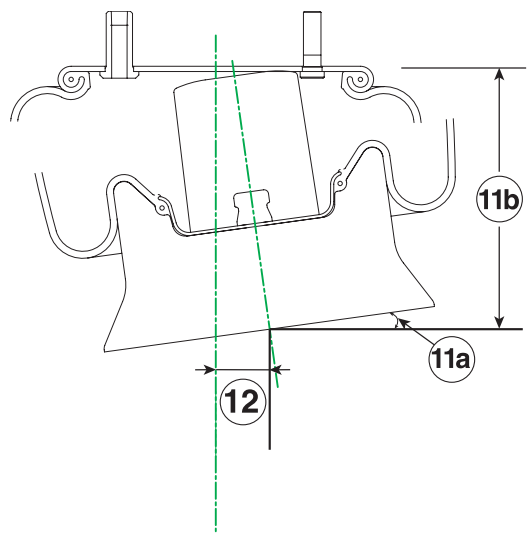
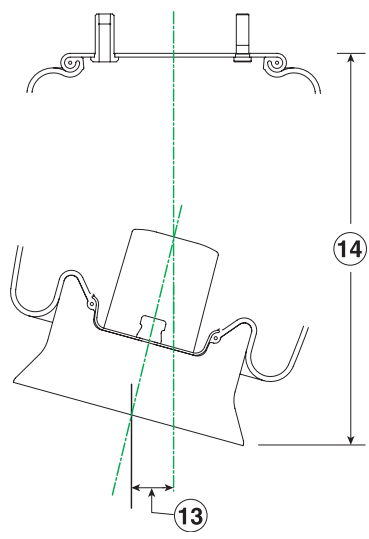
b. Bumper Contact Height ( in , mm ) =

**12.** Jounce Offset at bumper contact height ( in , mm ) =

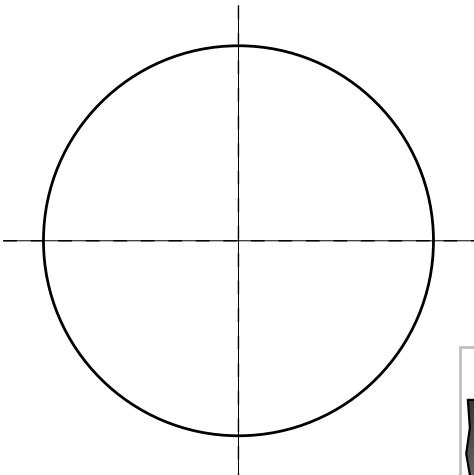
**13.** Rebound Offset at maximum rebound height ( in , mm ) =

**14.** Maximum Rebound Height ( in , mm ) =

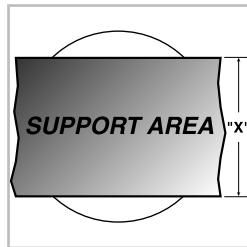
**15.** Please include suspension drawing



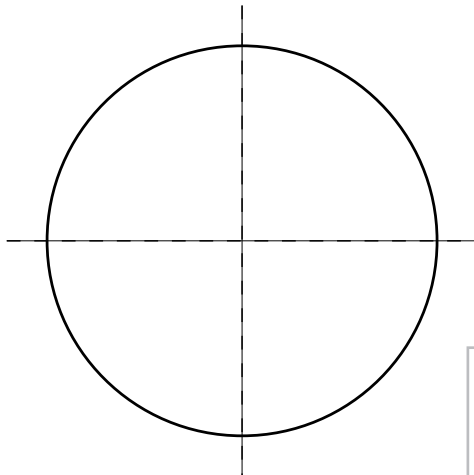
**16.** Bead Plate Support Area



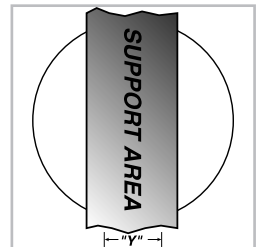
*example*



**17.** Piston Support Area



*example*



**18.** Customer Air Spring Drawing = ( Yes / No )  
*If yes, please attach*

**19.** Production Start Date =

**20.** Prototype required = ( Yes / No )

a. Date required =

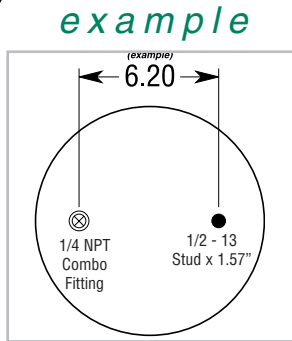
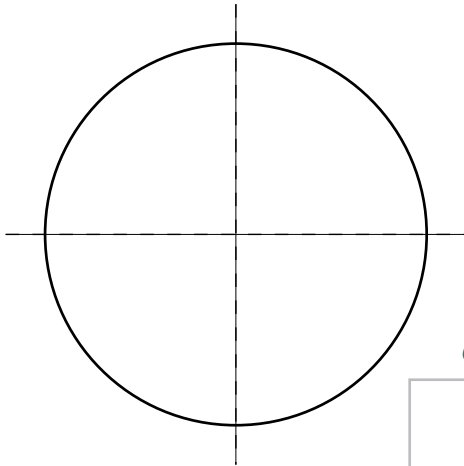
b. Quantity required =

## Air Spring Performance Requirements (cont.)

### 21. Bead Plate Fastener Detail

Firestone bead plate number (if known) =

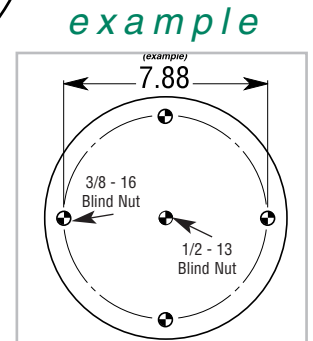
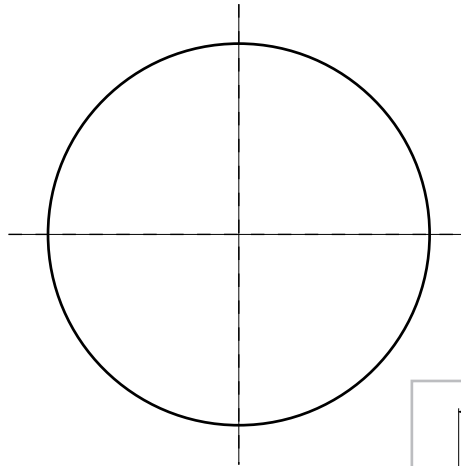
"Same As" Part number =



### 22. Piston Fastener Detail

Firestone bead plate/piston no. (if known) =

"Same As" Part number =



23. Bead Plate Salt Spray Requirement (96 hour standard) =

24. Piston Material ( *Plastic / Steel / Aluminum* )

25. Piston Support Area Surface Finish =

26. PPAP Required = ( *Yes / No* )

a. PPAP Level Required =

b. Please attach PPAP requirements

28. Special labeling requirements = ( *Yes / No* )  
*If yes, please attach*

29. Test data required = ( *Yes / No* )

Load Deflection

Burst

Dynamic

Other \_\_\_\_\_

27. Packaging Requirements =   
( *Firestone Bulk Pack Standard* )