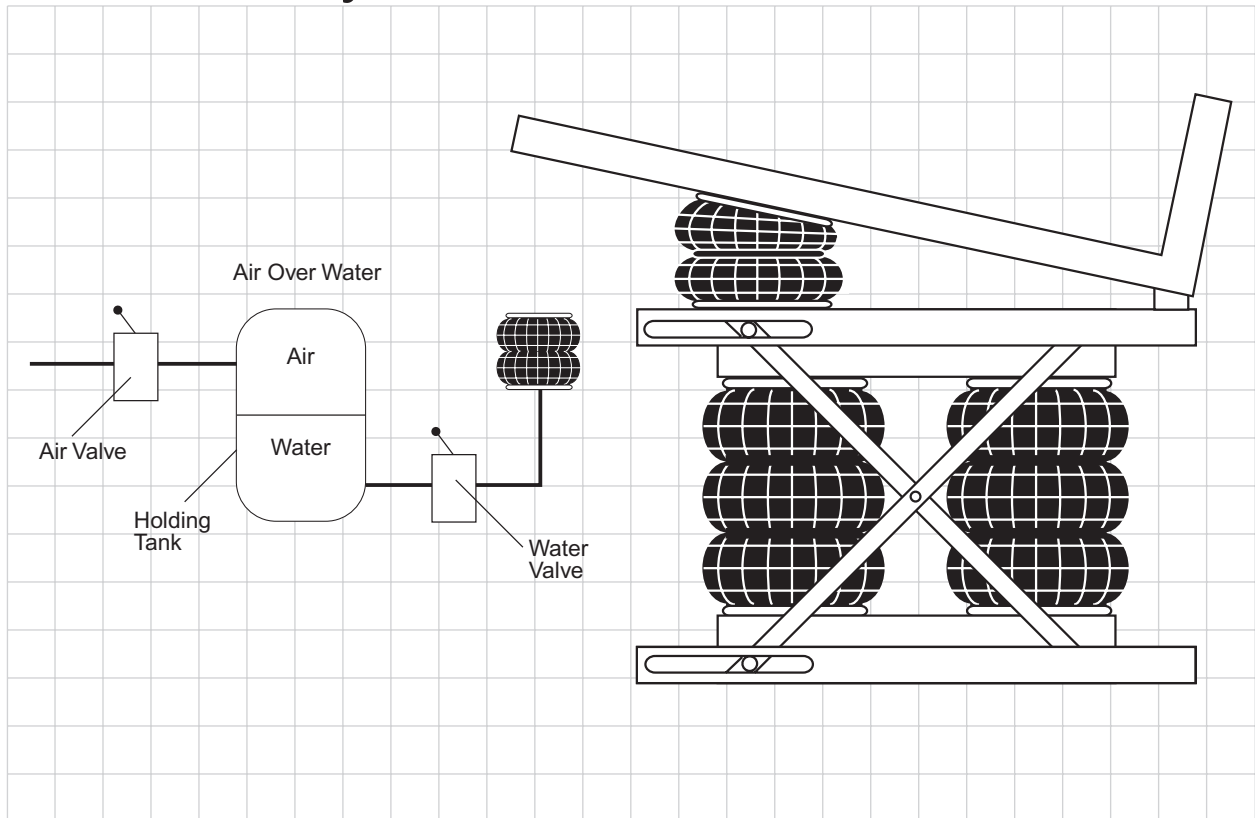


Simulated Hydraulic Lift Table



Problem

In applications requiring precise or stable positioning regardless of load, pneumatic lift tables are either awkward to locate at the required height, or have too much “bounce” when loads shift or change. Hydraulic lift tables are expensive, noisy, or subject to objectionable leaks and high maintenance costs.

Solution

A liquid-filled Airstroke actuator system using an air-over-water reservoir requires only an air supply to complete the installation.

Benefit

The system provides simple, low cost, quiet, safe, maintenance-free operation of a lift table while providing all the operating characteristics of a hydraulic system. It is fully portable, and variable speed in ascent or descent mode. If a leak develops, the media is non-toxic and non-hazardous.

Tel: 1-800-888-0650
Email: support@firestoneindustrial.com
<http://www.firestoneindustrial.com>