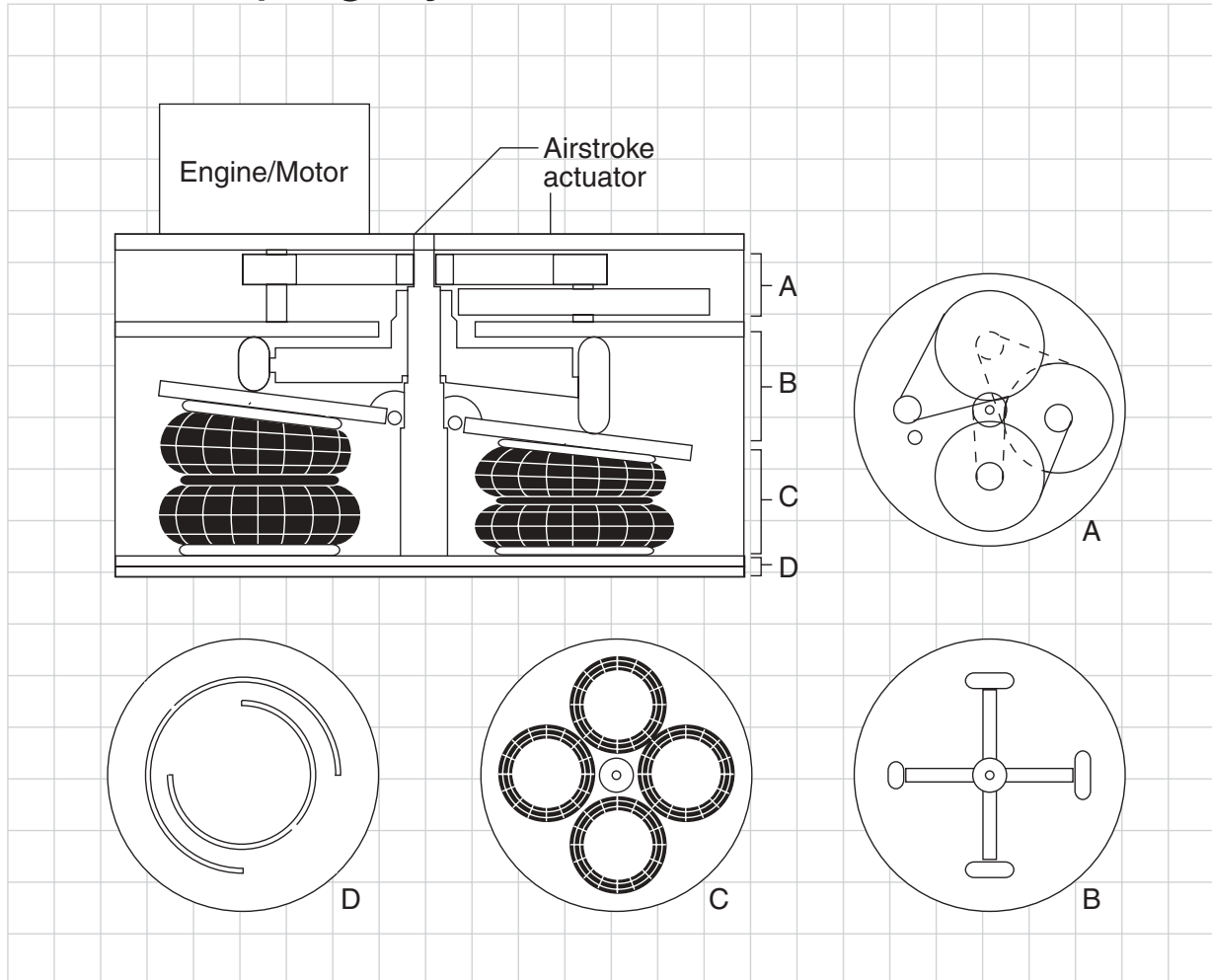


### Gas Pumping System



#### **Problem**

Unit needed to provide reliable high pressure, low volume pumping of explosive gases.

#### **Solution**

A system of timing belts and pulleys powered by a 1725 rpm motor operate four Airstroke actuators featuring custom end plates with two 1/2" BSP ports. As the actuators expand, gas is drawn in through the check valve. As the actuators collapse, the gas is expelled.

#### **Benefit**

The actuator-based pumping system achieves a safe, reliable pumping rate of .028 m<sup>3</sup>/min. at 7 bar.